

40x18 Door Reactions by Type

Design Parameters

Door Size: 40 feet x 18 feet
 Door Area: 720 sq. ft.
 Wind Load: 20 psf (assumed)
 Total Wind Force: 14,400 lbs.
 Dead Load: 5 psf (assumed)
 Total Weight: 3600 lbs.

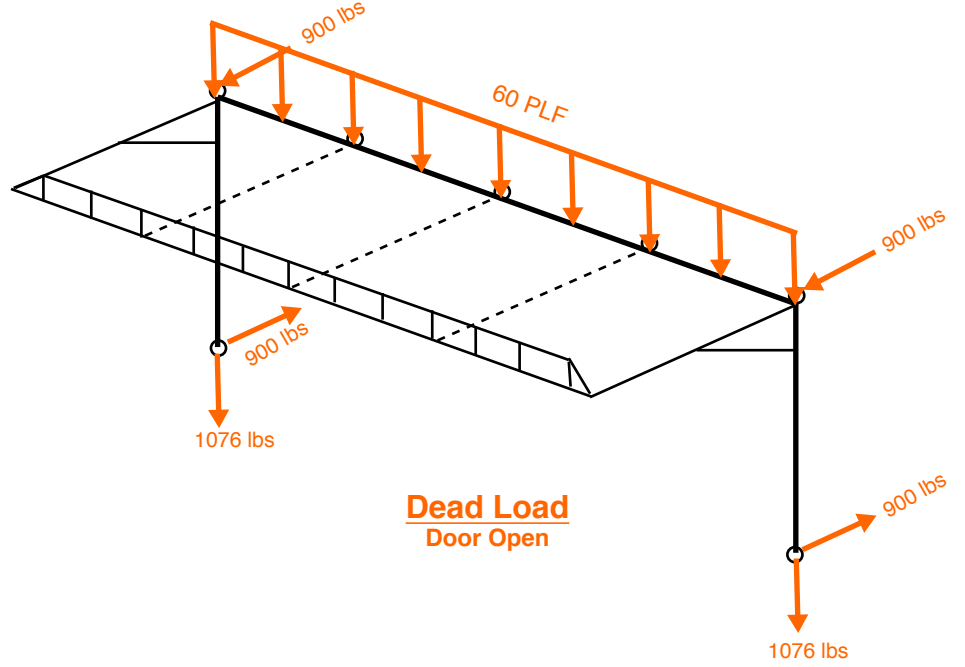
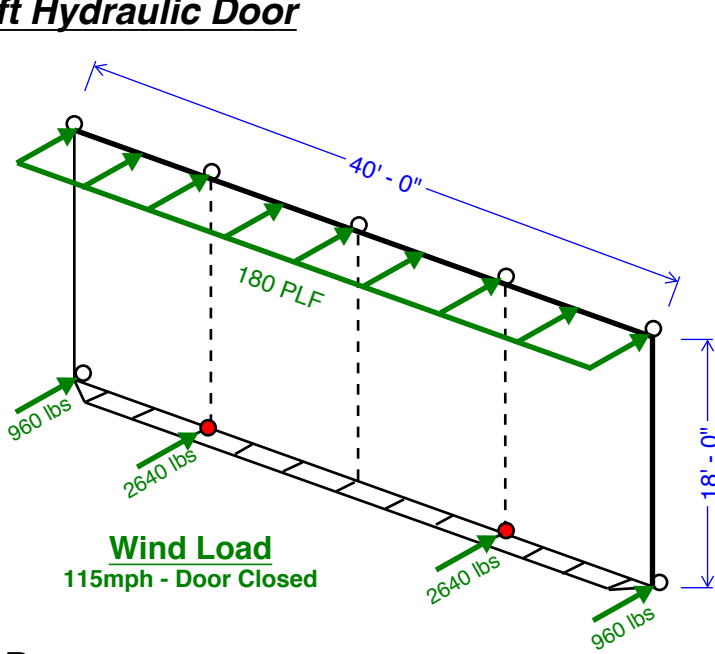
Wind load and Dead load are assumed for the purpose of comparing door styles with similar loading and do not represent loads for a specific site design.

Legend:

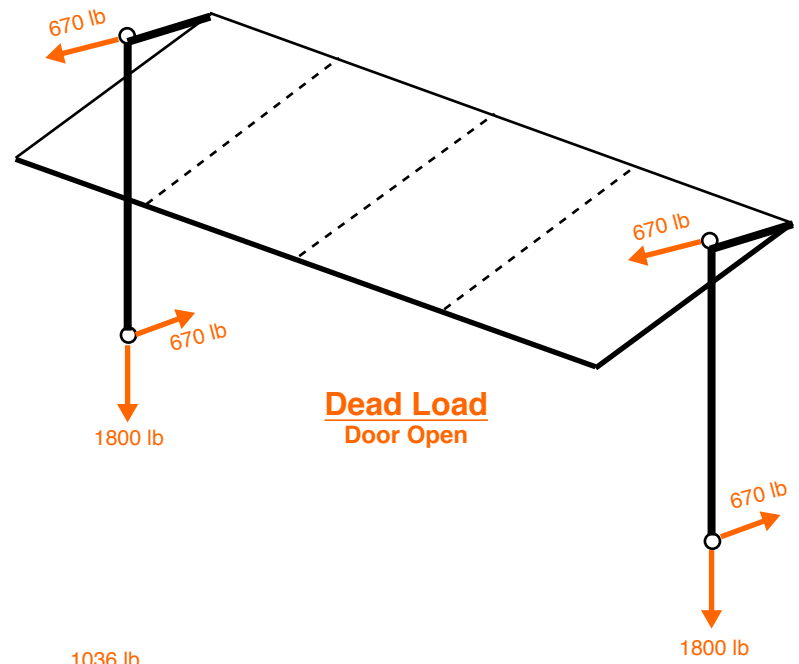
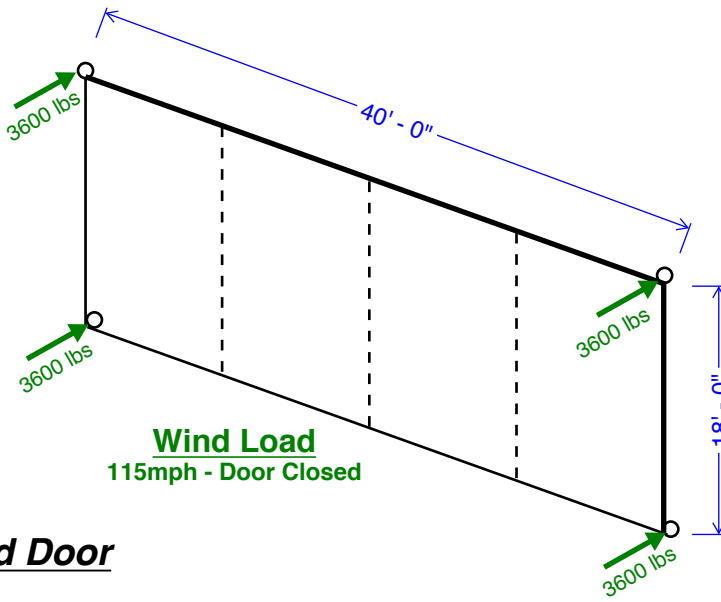
- Attachment point to building
- Hurricane pin
- Wind Load Reaction
- Dead Load Reaction

Note: PowerLift Doors is the only option that comes standard with a header engineered to distribute the windload and dead load evenly across the entire door opening, instead of creating substantial point loads which your building must absorb.

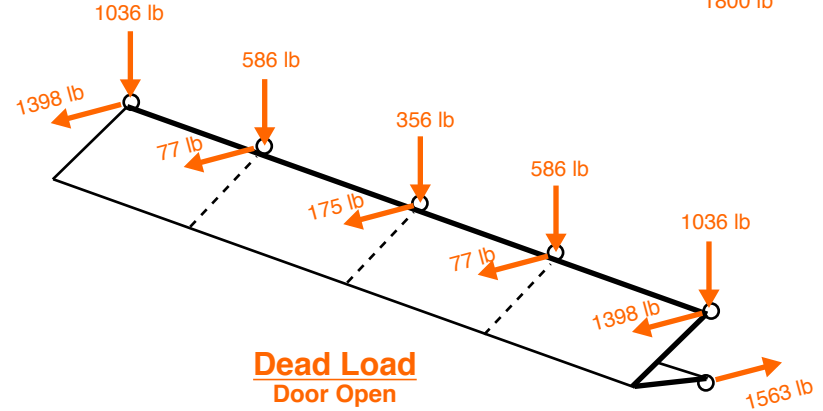
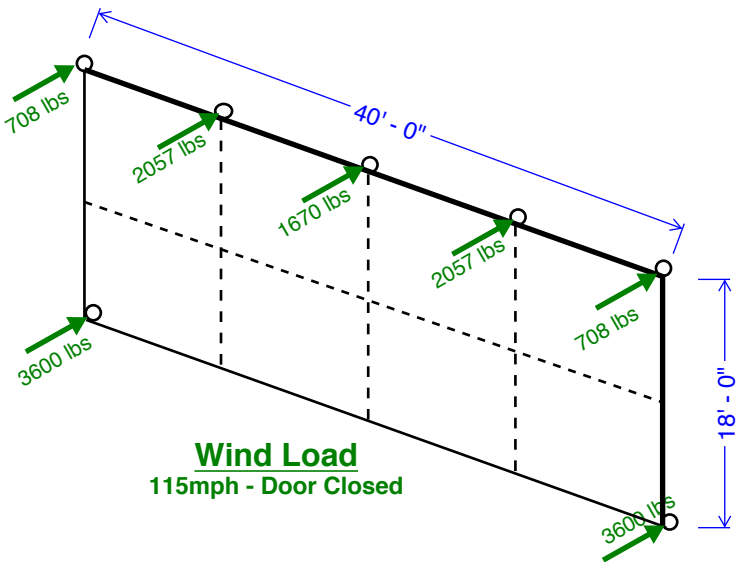
Powerlift Hydraulic Door



Tilt-up Door



Bi-Fold Door



Sliding Door

